

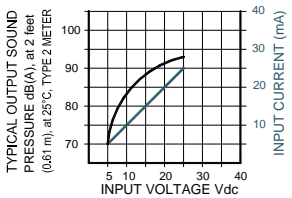
CH-09-525-S(M)

**Made in
USA**



- Durable Stainless Steel 304 Diaphragm
- Epoxy Encapsulated Electronics
- UL Approved
- NEMA 4X Certified with Optional Gasket
- Reliable Piezoelectric Technology

OUTPUT SOUND and CURRENT CONSUMPTION vs. INPUT VOLTAGE PERFORMANCE.



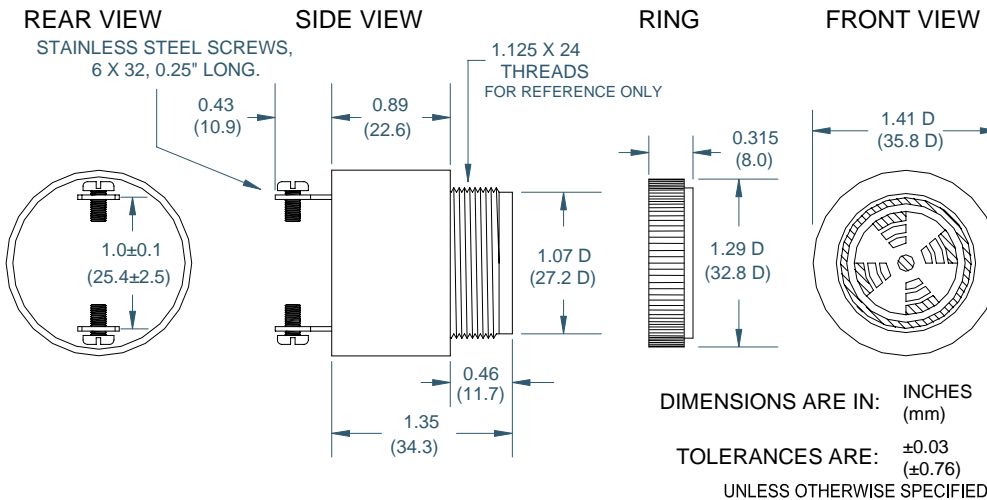
The CH-09-525-S(M) emits a chime tone once per second at a typical loudness level of 93 dB(A). It can be operated over a voltage range of 5-25VDC.

SPECIFICATIONS

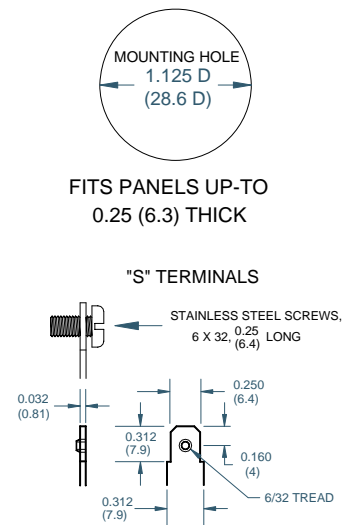
Operating Mode:	Medium Loud Chime Tone
Operating Voltage:	5-25 Vdc
Nominal Operating Voltage:	24 Vdc
Operating Frequency:	2900±250 Hz. 1±25% Chimes per second
Typical Operating Current:	5 mA at 5 Vdc 25 mA at 25 Vdc
Typical Sound Pressure:	70±5 dB(A), at 5 Vdc, at 24 inches (61 cm), at 25°C 93±5 dB(A), at 25 Vdc, at 24 inches (61 cm), at 25°C.
Termination:	0.25 (6.3) Wide Quick Connect Blades with 0.25 (6.3) Long 6x32 Stainless Steel Screws
Termination Strength:	Pull test with a maximum of 22 pounds (10 kg) load
Operating Temperature:	-20°C to +65°C.
Storage Temperature:	-40°C to +85°C.
Surge Voltage:	20% over maximum rated voltage for less than 5 minutes.
Reverse Voltage Protection:	To the maximum operating voltage.
Part Recognized By:	Underwriters Laboratory
Construction Materials:	Case- Plastic "NORYL® N-190", Flame Retardant UL 94-VO, Black Internal Circuit- Audio-oscillator and piezoelectric driver Potting- 2 parts epoxy resin or silicone, black Diaphragm- Stainless Steel 304 Gasket (Sold Separately)- 0.062" Thick, 60 Durometer Neoprene
Environmental Durability:	Salt Spray- Withstand exposure to salt spray per ASTM B117 for a period of 300 hours with no decrease in sound output Humidity- 95% relative humidity at +40°C continuously for 100 hours. Vibration- Withstands vibration between 0 and 55 Hz. on all axes. 10 years under normal operating conditions.
Life Expectancy:	For a period of two years from the date of manufacture under normal operating conditions.
Warranty:	

RoHS Also available RoHS Compliant — Add "R" to end of part number.

DIMENSIONS



PANEL MOUNTING



Floyd Bell Inc
An ISO 9001:2000 Registered Company

720 Dearborn Park Lane • Columbus, OH 43085
Tel: 888-FLOYD-BELL • Fax: 614/291-0823
www.floydbell.com

Revision: 2.07