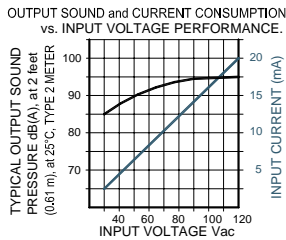


# MB-09-201-S(M)

**Made in  
USA**



- Durable Stainless Steel 304 Diaphragm
- Epoxy Encapsulated Electronics
- UL Approved
- NEMA 4X Certified with Optional Gasket
- Reliable Piezoelectric Technology



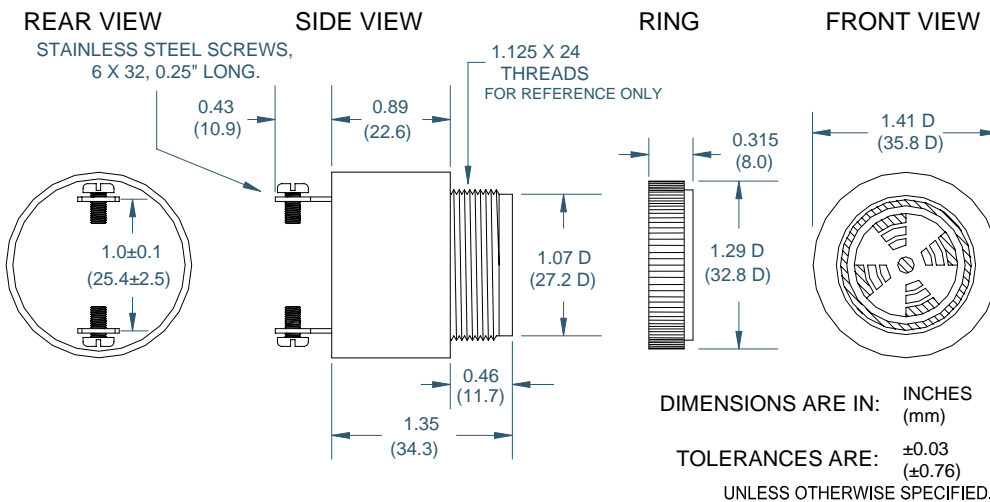
The MB-09-201-S(M) is a medium loud output, panel mounted alarm for operating voltages of 30-120VAC. The two pulse per second beep tone has a typical sound pressure level of 95 dB(A) at maximum voltage. The terminals are standard 0.25" quick-connect blades with screws added for connection to wires with lugs.

## SPECIFICATIONS

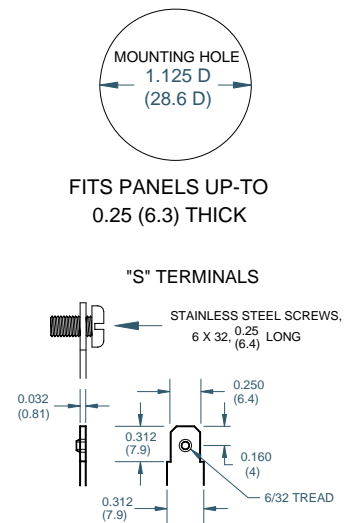
<b>Operating Mode:</b>	Medium Loud Beep Tone
<b>Operating Voltage:</b>	30-120 Vac
<b>Nominal Operating Voltage:</b>	110 Vac
<b>Operating Frequency:</b>	2900±250 Hz. 2±25% Pulses per second
<b>Typical Operating Current:</b>	5 mA at 30 Vac 20 mA at 120 Vac
<b>Typical Sound Pressure:</b>	85±5 dB(A), at 30 Vac, at 24 inches (61 cm), at 25°C 95±5 dB(A), at 120 Vac, at 24 inches (61 cm), at 25°C.
<b>Termination:</b>	0.25 (6.3) Wide Quick Connect Blades with 0.25 (6.3) Long 6x32 Stainless Steel Screws
<b>Termination Strength:</b>	Pull test with a maximum of 22 pounds (10 kg) load
<b>Operating Temperature:</b>	-20°C to +65°C.
<b>Storage Temperature:</b>	-40°C to +85°C.
<b>Surge Voltage:</b>	20% over maximum rated voltage for less than 5 minutes.
<b>Part Recognized By:</b>	Underwriters Laboratory
<b>Construction Materials:</b>	Case- Plastic "NORYL® N-190", Flame Retardant UL 94-VO, Black Internal Circuit- Audio-oscillator and piezoelectric driver Potting- 2 parts epoxy resin or silicone, black Diaphragm- Stainless Steel 304 Gasket (Sold Separately)- 0.062" Thick, 60 Durometer Neoprene
<b>Environmental Durability:</b>	Salt Spray- Withstand exposure to salt spray per ASTM B117 for a period of 300 hours with no decrease in sound output Humidity- 95% relative humidity at +40°C continuously for 100 hours. Vibration- Withstands vibration between 0 and 55 Hz. on all axes.
<b>Life Expectancy:</b>	10 years under normal operating conditions.
<b>Warranty:</b>	For a period of two years from the date of manufacture under normal operating conditions.

**RoHS** Also available RoHS Compliant — Add "R" to end of part number.

## DIMENSIONS



## PANEL MOUNTING



**Floyd Bell Inc**  
An ISO 9001:2000 Registered Company

720 Dearborn Park Lane • Columbus, OH 43085  
Tel: 888-FLOYD-BELL • Fax: 614/291-0823  
www.floydbell.com

**Revision: 2.07**