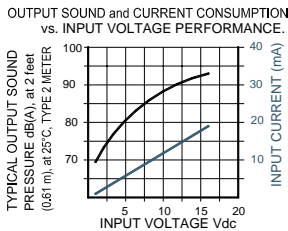


MC-07-116-S

**Made in
USA**



- Durable Stainless Steel 304 Diaphragm
- Epoxy Encapsulated Electronics
- UL Approved
- NEMA 4X Certified
- Installs Easily
- Reliable Piezoelectric Technology



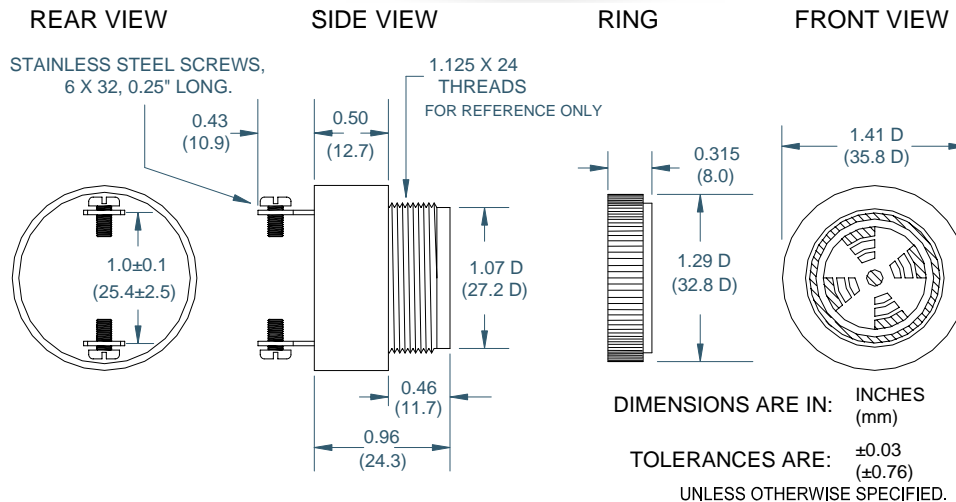
The MC-07-116-S is a panel mounted alarm for operating voltages of 1-16VDC. The continuous tone has a typical sound pressure level of 93 dB(A) at maximum voltage. The terminals are standard 0.25" quick-connect blades with screws added for connection to wires with lugs.

SPECIFICATIONS

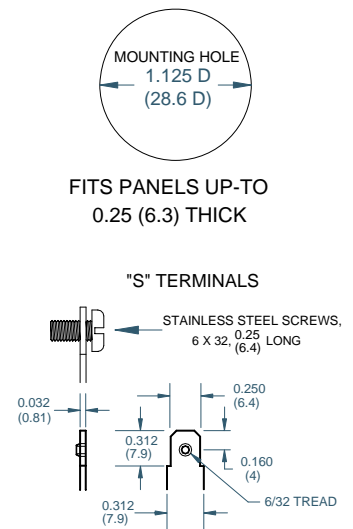
Operating Mode:	Medium Loud Continuous Tone
Operating Voltage:	1-16 Vdc
Nominal Operating Voltage:	16 Vdc
Operating Frequency:	2900±250 Hz.
Typical Operating Current:	1 mA at 1 Vdc 20 mA at 16 Vdc
Typical Sound Pressure:	68±5 dB(A), at 1 Vdc, at 24 inches (61 cm), at 25°C 93±5 dB(A), at 16 Vdc, at 24 inches (61 cm), at 25°C.
Termination:	0.25 (6.3) Wide Quick Connect Blades with 0.25 (6.3) Long 6x32 Stainless Steel Screws Pull test with a maximum of 22 pounds (10 kg) load
Termination Strength:	Pull test with a maximum of 22 pounds (10 kg) load
Operating Temperature:	-20°C to +65°C.
Storage Temperature:	-40°C to +85°C.
Surge Voltage:	20% over maximum rated voltage for less than 5 minutes.
Reverse Voltage Protection:	To the maximum operating voltage.
Part Recognized By:	Underwriters Laboratory
Construction Materials:	Case- Plastic "NORYL® N-190", Flame Retardant UL 94-VO, Black Internal Circuit- Audio-oscillator and piezoelectric driver Potting- 2 parts epoxy resin or silicone, black Diaphragm- Stainless Steel 304 Gasket (Sold Separately)- 0.062" Thick, 60 Durometer Neoprene
Environmental Durability:	Salt Spray- Withstand exposure to salt spray per ASTM B117 for a period of 300 hours with no decrease in sound output Humidity- 95% relative humidity at +40°C continuously for 100 hours. Vibration- Withstands vibration between 0 and 55 Hz. on all axes.
Life Expectancy:	10 years under normal operating conditions.
Warranty:	For a period of two years from the date of manufacture under normal operating conditions.

RoHS Also available RoHS Compliant — Add "R" to end of part number.

DIMENSIONS



PANEL MOUNTING



Floyd Bell Inc
An ISO 9001:2000 Registered Company

720 Dearborn Park Lane • Columbus, OH 43085
Tel: 888-FLOYD-BELL • Fax: 614/291-0823
www.floydbell.com

Revision: 2.07