

[AudioLarm II Series](#)
LS-07-530-Q



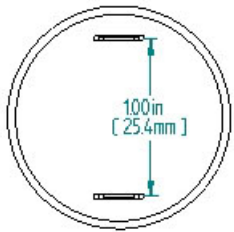
[More Information](#)

Dimensions

Specifications

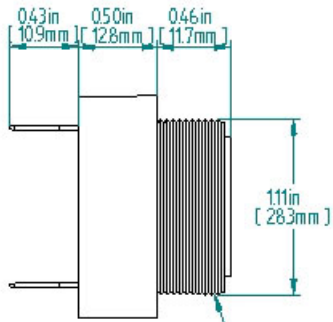
| | |
|-------------------------------------|--|
| Mounting | Panel Mount |
| Operating Mode | Low Output Siren Tone |
| Operating Voltage | 5-30 Vdc |
| Operating Frequency | 2900±250 Hz |
| Typical Operating Current | 2 mA at 5 Vdc 20 mA at 30 Vdc |
| Typical Sound Pressure | 80 ±5 dB(A) at 5 Vdc at 24 inches (61 cm), at 25°C 85 ±5 dB(A) at 30 Vdc at 24 inches (61 cm), at 25°C |
| Termination | Quick Connect Blades |
| Termination Strength | Pull test with a maximum of 22 pounds (10 kg) load |
| Operating Temperature | -20_C to +65_C |
| Storage Temperature | -40_C to +85_C |
| Surge Voltage | 20% over maximum rated voltage for less than 5 minutes |
| Reverse Voltage Protection | To the maximum operating voltage |
| Construction Materials | Case- Plastic _NORYL_ N-190, Flame Retardant UL 94-VO, Black Internal Circuit- Audio-oscillator and piezoelectric driver Potting- 2 parts epoxy resin or silicone, black Diaphragm- Stainless Steel 309 |
| Gasket | Gasket (sold separately) 0.062" thick, 60 Durometer Neoprene |
| Construction Materials | ASTM B117 Certified - Withstands exposure to salt spray for 300 hours IP 68 Certified - Withstands water submergence and dust exposure Humidity- 95% relative humidity at +40_C continuously for 100 hours. Vibration- Withstands vibration between 0 and 55 Hz. on all axes. |
| Life Expectancy | 10 years under normal operating conditions. |
| Warranty | For a period of two years from the date of manufacture under normal operating conditions. |
| Notes | This product is not intended as a life safety device. |
| Terms and Conditions of Sale | Link here |

REAR



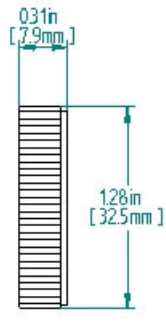
TOLERANCES ARE: ± 0.03 in.
 $(\pm 0.76$ mm)

SIDE

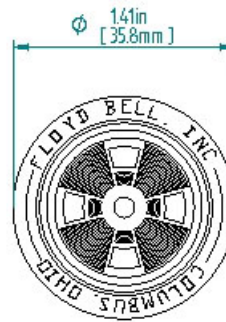


1.125-24 UNF THREADS
 FOR REFERENCE ONLY

RING



FRONT



PANEL MOUNTING



FITS PANELS UP TO
 0.25 in (6.35 mm) THICK

"Q" TERMINALS

