

[CAN Alarm Series](#)
AN454H_CAN





More Information



Specifications

Mounting	Bracket Mount
Operating Mode	Voice Message: Up to 255 Recorded Messages
Operating Voltage	10-29 Vdc
Operating Frequency	300Hz to 10Khz
Typical Operating Current	0 mA at 10 Vdc 250 mA at 29 Vdc
Typical Sound Pressure	0 ±5 dB(A) at 10 Vdc at 24 inches (61 cm), at 25°C 115 ±5 dB(A) at 29 Vdc at 24 inches (61 cm), at 25°C
Termination	Deutsch DT04-4P (gold terminals)
Operating Temperature	-20_C to +65_C
Storage Temperature	-40_C to +85_C
Surge Voltage	20% over maximum rated voltage for less than 5 minutes

Reverse Voltage Protection

To the maximum operating voltage

Construction Materials

AN454 is designed for wet and damp environments

Life Expectancy

10 years under normal operating conditions.

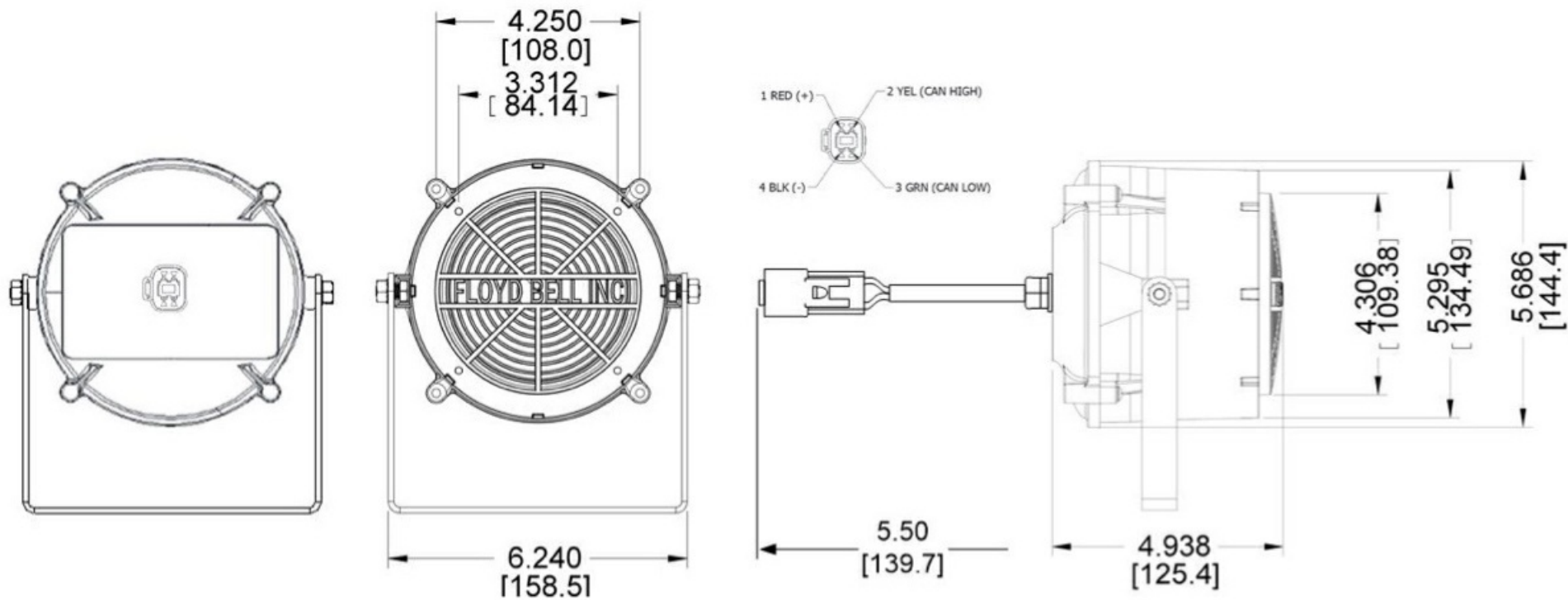
Warranty

For a period of one year from the date of manufacture under normal operating conditions.

Notes

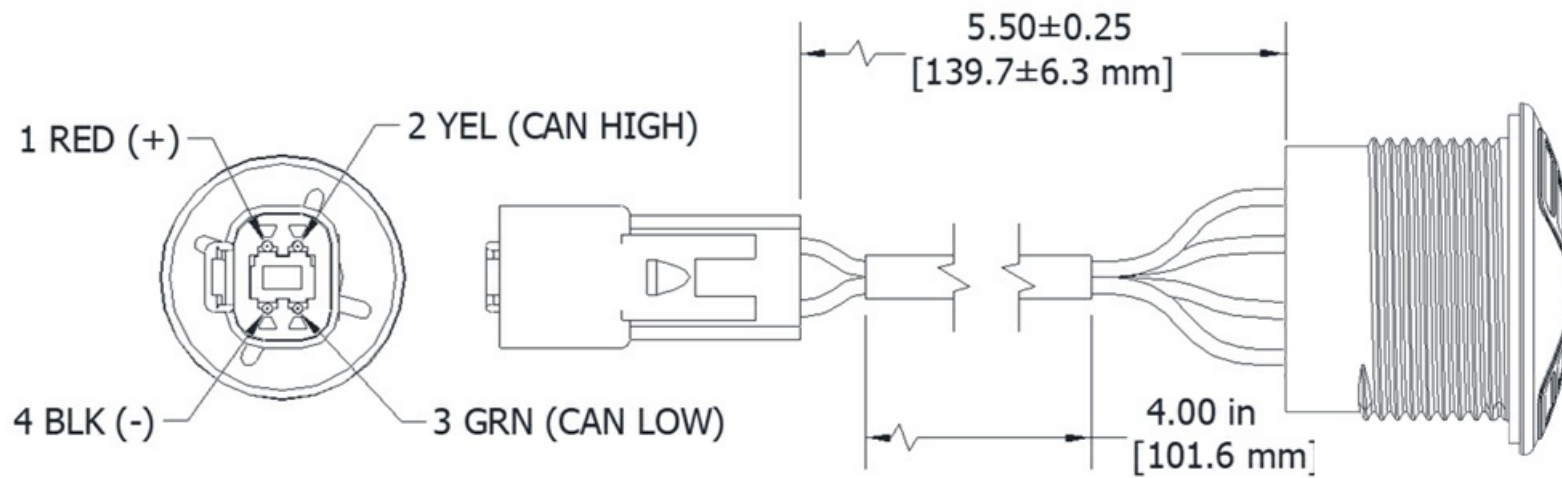
This product is not intended as a life safety device.

Terms and Conditions of Sale [Link here](#)



BACK

SIDE



TOLERANCES ARE $\pm 0.03 \pm 0.76$ mm UNLESS OTHERWISE NOTED