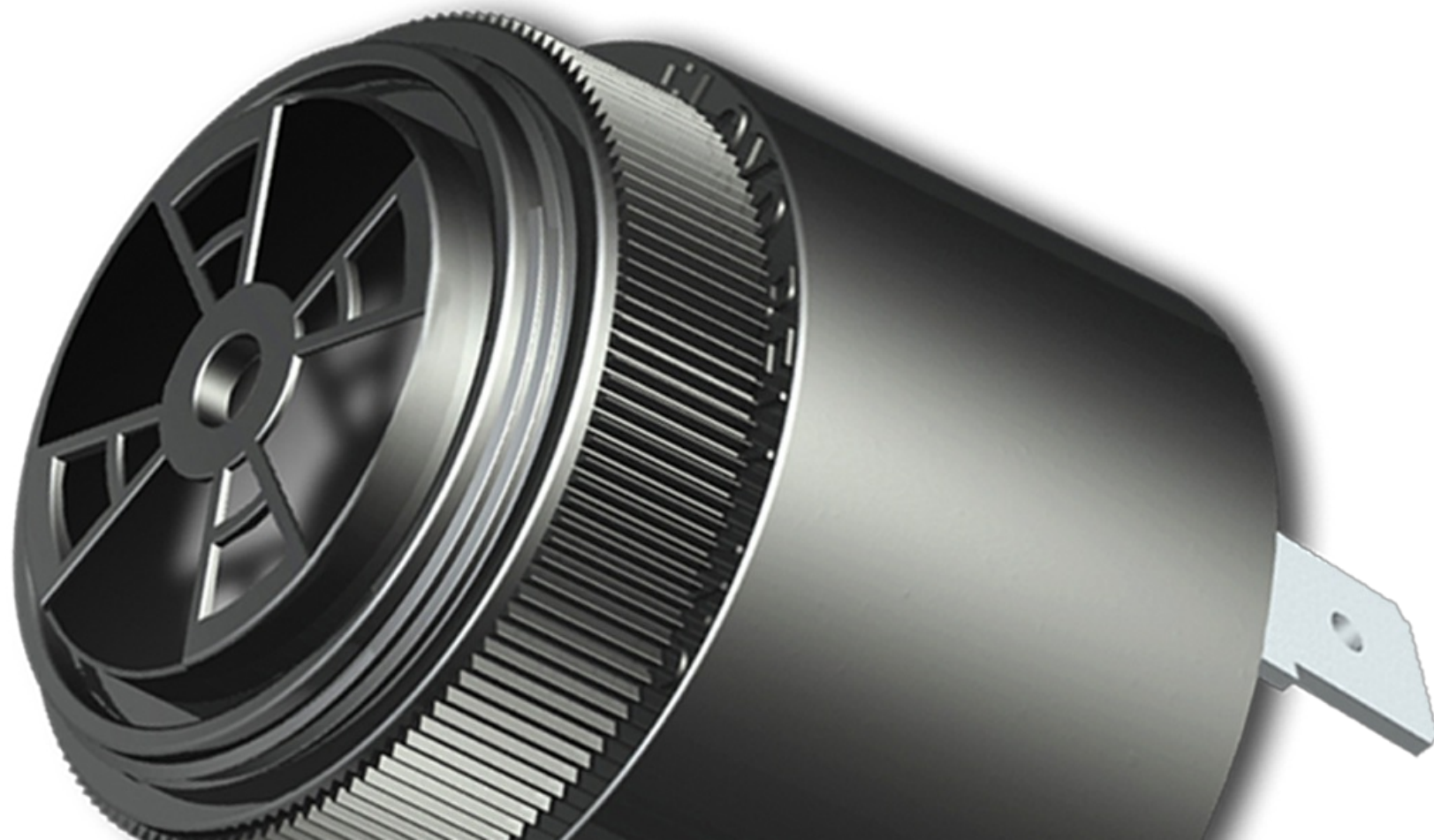


[Announcer Series Series](#)
AN150Q





More Information



Specifications

Mounting	Panel Mount
Operating Mode	Voice Message: 3 Custom Recorded Messages
Operating Voltage	9-30 Vdc
Typical Operating Current	0 mA at 9 Vdc 250 mA at 30 Vdc
Typical Sound Pressure	0 ±5 dB(A) at 9 Vdc at 24 inches (61 cm), at 25°C 90 ±5 dB(A) at 30 Vdc at 24 inches (61 cm), at 25°C
Termination	Quick Connect Blades
Termination Strength	Pull test with a maximum of 22 pounds (10 kg) load
Operating Temperature	-20_C to +65_C
Storage Temperature	-40_C to +85_C
Surge Voltage	20% over maximum rated voltage for less than 5 minutes

Reverse Voltage Protection To the maximum operating voltage

Construction Materials Plastic _NORYL_ N-190, Flame Retardant UL 94-VO, Black
Potting- 2 parts epoxy resin or silicone, black

Gasket Gasket (sold separately) 0.062" thick, 60 Durometer Neoprene
ASTM B117 Certified - Withstands exposure to salt spray for 300 hours
Humidity- 95% relative humidity at +40_C continuously for 100 hours.
Vibration- Withstands vibration between 0 and 55 Hz. on all axes.

Construction Materials

Life Expectancy 10 years under normal operating conditions.

Warranty For a period of two years from the date of manufacture under normal operating conditions.

Notes This product is not intended as a life safety device.

Terms and Conditions of Sale [Link here](#)

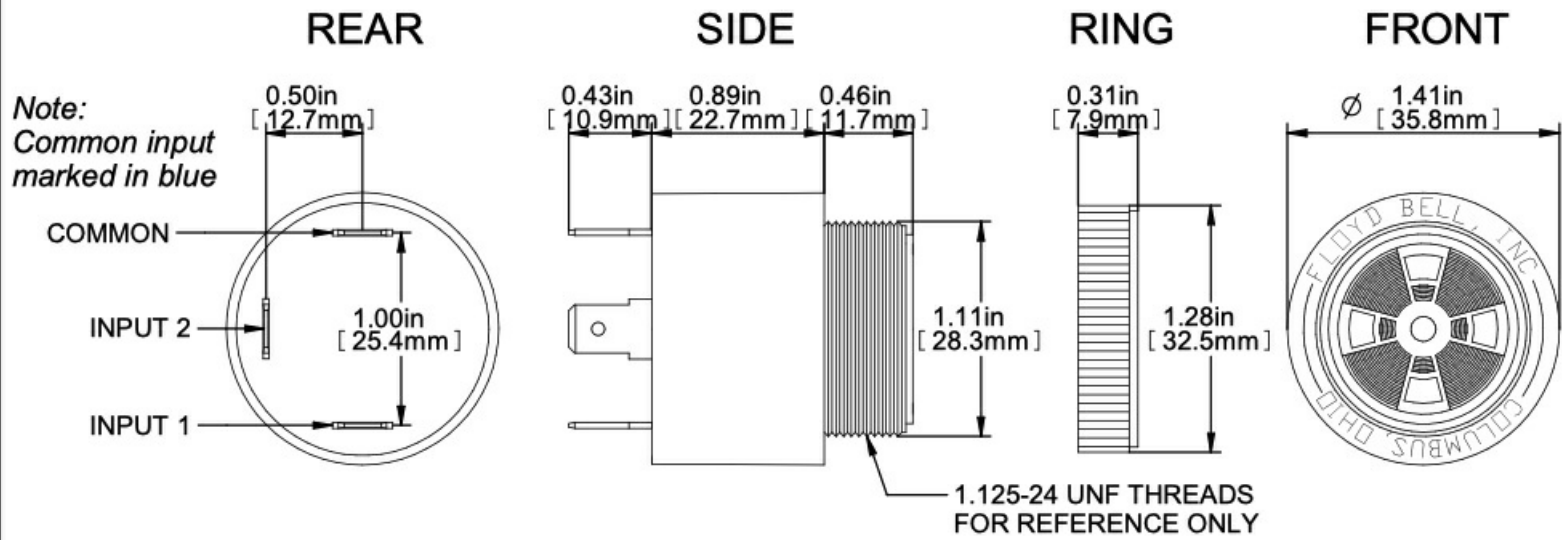
S1	S2	Output
On	Off	Msg1
Off	On	Msg2
On	On	Msg3

DIMENSIONS

PANEL MOUNTING



FITS PANELS UP-TO
0.25 (6.3) THICK



TOLERANCES ARE ±0.03in [±0.76mm] UNLESS OTHERWISE SPECIFIED

PANEL MOUNTING



FITS PANELS UP TO
0.25in (6.35mm) THICK

