





[More Information](#)



RoHS Compliant

CE Compliant

Dimensions

Specifications

Mounting	Panel Mount
Operating Mode	Extra Loud Multiple Tone
Operating Voltage	9-30 Vdc
Operating Frequency	1800±250 Hz
Typical Operating Current	30 mA at 9 Vdc 40 mA at 30 Vdc
Typical Sound Pressure	60 ±5 dB(A) at 9 Vdc at 24 inches (61 cm), at 25°C 108 ±5 dB(A) at 30 Vdc at 24 inches (61 cm), at 25°C
Termination	M-12 Connector
Termination Strength	Pull test with a maximum of 22 pounds (10 kg) load
Operating Temperature	-20_C to +65_C
Storage Temperature	-40_C to +85_C
Surge Voltage	20% over maximum rated voltage for less than 5 minutes
Reverse Voltage Protection	To the maximum operating voltage
Construction Materials	Case- Plastic _NORYL_ N-190, Flame Retardant UL 94-VO, Black Internal Circuit- Audio-oscillator and piezoelectric driver Dianhranm- Stainless Steel 305

Stepharmagn Stainless Steel 304

Gasket

Gasket 0.062" thick, 60 Durometer Neoprene

Construction Materials

ASTM B117 Certified - Withstands exposure to salt spray for 300 hours
 IP 68 Certified - Withstands water submergence and dust exposure
 Humidity- 95% relative humidity at +40_C continuously for 100 hours.
 Vibration- Withstands vibration between 0 and 55 Hz. on all axes.

Life Expectancy

10 years under normal operating conditions.

Warranty

For a period of two years from the date of manufacture under normal operating conditions.

Notes

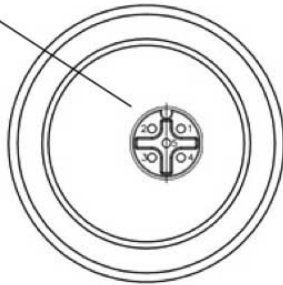
This product is not intended as a life safety device.

Terms and Conditions of Sale [Link here](#)



Rear

Pin #	Function
5	CAN L
4	CAN H
3	GND
2	POWER
1	Shield



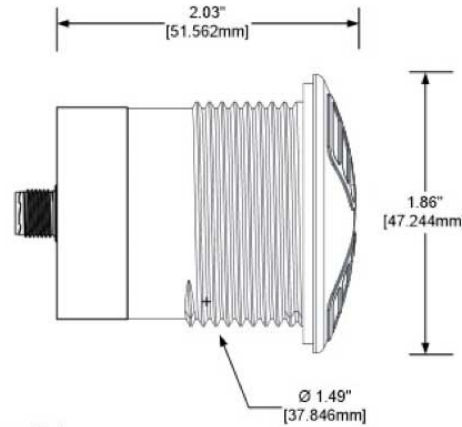
Ring Nut



*** Image not to scale***

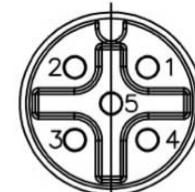
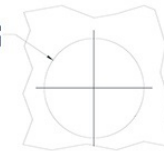
Tolerances are + .03" unless otherwise specified

Side



MOUNTING HOLE

Ø1.50 in
[38.1 mm]



Pin #	Function
5	CAN L
4	CAN H
3	GND
2	POWER
1	Shield