

[Twin Turbo Series](#)

TUHO-88Y-930-Q



More Information

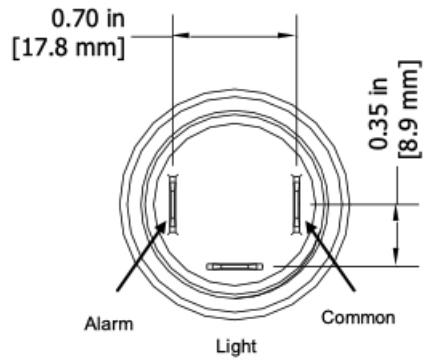


**Specifications**

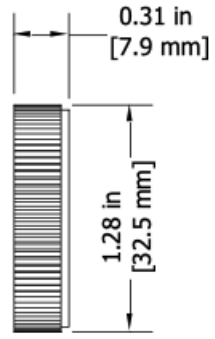
|                                     |  |
|-------------------------------------|--|
| <b>Mounting</b>                     | Panel Mount  |
| <b>Color</b>                        | Yellow   |
| <b>Operating Mode</b>               | Extra Loud Whoop Tone  |
| <b>Operating Voltage</b>            | 9-30 Vdc   |
| <b>Operating Frequency</b>          | 3000±250 Hz  |
| <b>Typical Operating Current</b>    | 65 mA at 9 Vdc<br>125 mA at 30 Vdc   |
| <b>Typical Sound Pressure</b>       | 85 ±5 dB(A) at 9 Vdc at 24 inches (61 cm), at 25°C<br>103 ±5 dB(A) at 30 Vdc at 24 inches (61 cm), at 25°C   |
| <b>Termination</b>                  | Quick Connect Blades   |
| <b>Termination Strength</b>         | Pull test with a maximum of 22 pounds (10 kg) load   |
| <b>Operating Temperature</b>        | -20_C to +65_C   |
| <b>Storage Temperature</b>          | -40_C to +85_C   |
| <b>Surge Voltage</b>                | 20% over maximum rated voltage for less than 5 minutes   |
| <b>Reverse Voltage Protection</b>   | To the maximum operating voltage   |
| <b>Construction Materials</b>       | Lens/Case- Yellow Translucent Polycarbonate 94 VO<br>Potting- 2 parts epoxy resin or silicone, black   |
| <b>Gasket</b>                       | Gasket (Included) 0.125" thick, 60 Durometer Neoprene<br>ASTM B117 Certified - Withstands exposure to salt spray for 300 hours<br>IP 68 Certified - Withstands water submergence and dust exposure |
| <b>Construction Materials</b>       | Humidity- 95% relative humidity at +40_C continuously for 100 hours.<br>Vibration- Withstands vibration between 0 and 55 Hz. on all axes.  |
| <b>Life Expectancy</b>              | 60 years under normal operating conditions.  |
| <b>Warranty</b>                     | For a period of two years from the date of manufacture under normal operating conditions.  |
| <b>Notes</b>                        | This product is not intended as a life safety device.  |
| <b>Terms and Conditions of Sale</b> | <a href="#">Link here</a>  |

Dimensions

BACK



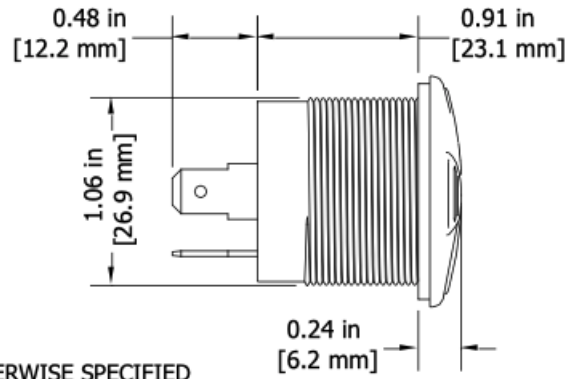
RING



GASKET



SIDE



FRONT



TOLERANCES ARE  $\pm 0.03$ in [ $\pm 0.76$ mm] UNLESS OTHERWISE SPECIFIED