

[Announcer Series Series](#)

AN100Q4



More Information



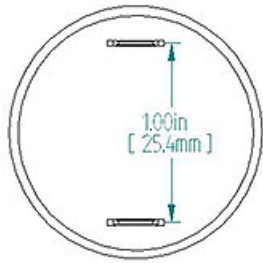
RoHS Compliant

**Specifications**

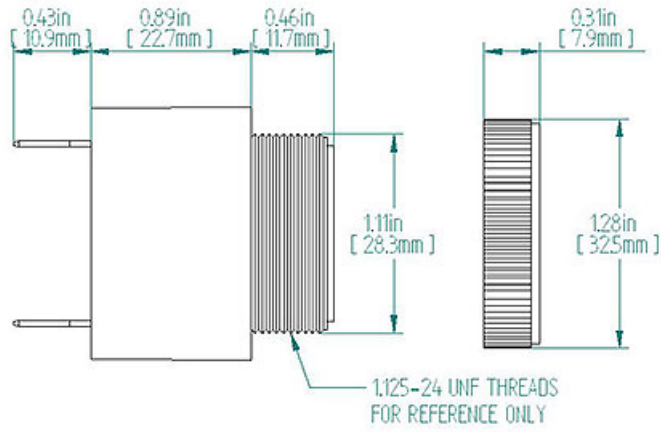
<b>Mounting</b>	Panel Mount
<b>Operating Mode</b>	Voice Message: Vehicle in Motion
<b>Operating Voltage</b>	9-15 Vdc
<b>Typical Operating Current</b>	0 mA at 9 Vdc 250 mA at 15 Vdc
<b>Typical Sound Pressure</b>	0 ±5 dB(A) at 9 Vdc at 24 inches (61 cm), at 25°C 90 ±5 dB(A) at 15 Vdc at 24 inches (61 cm), at 25°C
<b>Termination</b>	Quick Connect Blades
<b>Termination Strength</b>	Pull test with a maximum of 22 pounds (10 kg) load
<b>Operating Temperature</b>	-20_C to +65_C
<b>Storage Temperature</b>	-40_C to +85_C
<b>Surge Voltage</b>	20% over maximum rated voltage for less than 5 minutes
<b>Reverse Voltage Protection</b>	To the maximum operating voltage
<b>Construction Materials</b>	Plastic_NORYL_N-190, Flame Retardant UL 94-VO, Black Potting- 2 parts epoxy resin or silicone, black
<b>Gasket</b>	Gasket (sold separately) 0.062" thick, 60 Durometer Neoprene
<b>Construction Materials</b>	ASTM B117 Certified - Withstands exposure to salt spray for 300 hours Humidity- 95% relative humidity at +40_C continuously for 100 hours. Vibration- Withstands vibration between 0 and 55 Hz. on all axes.
<b>Life Expectancy</b>	10 years under normal operating conditions.
<b>Warranty</b>	For a period of two years from the date of manufacture under normal operating conditions.
<b>Notes</b>	This product is not intended as a life safety device.
<b>Terms and Conditions of Sale</b>	<a href="#">Link here</a>

# Dimensions

## REAR

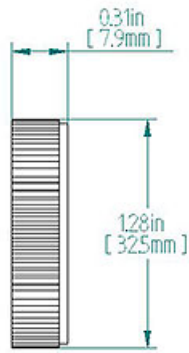


## SIDE

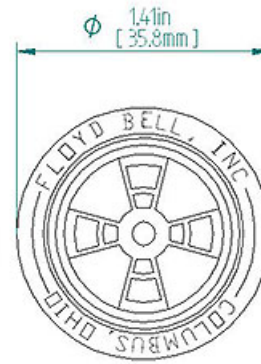


TOLERANCES ARE  $\pm 0.03$ in ( $\pm 0.76$ mm) UNLESS OTHERWISE SPECIFIED

## RING



## FRONT



## PANEL MOUNTING



FITS PANELS UP TO 0.25in [6.35mm] THICK

## "Q" TERMINALS

